



NOTICE
 This map is for assessment purposes only, and is not valid for legal description or conveyance.

The Horizontal Datum is the Maine State Plane Coordinate System, East Zone, NAD83 Feet.

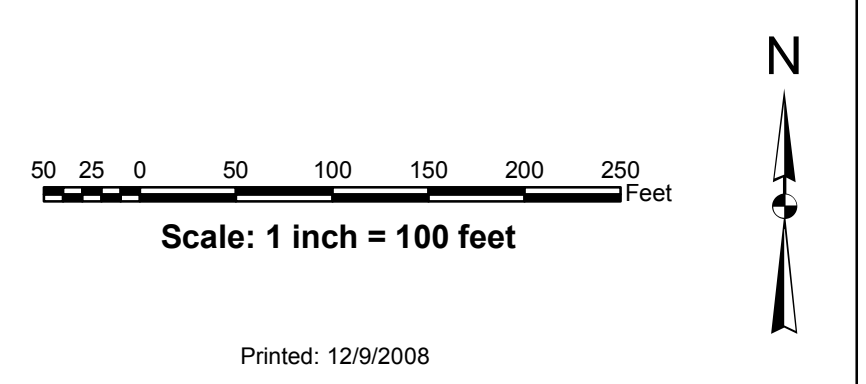
Original data produced in 1996 by Cartographics Associates, Inc.
 Photography Date: April 15, 1994

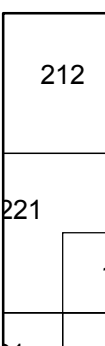
 **DIRIGO SPATIAL SYSTEMS, INC.**
 Hampden, Maine (207) 745-3906

 **kappa mapping, inc.**

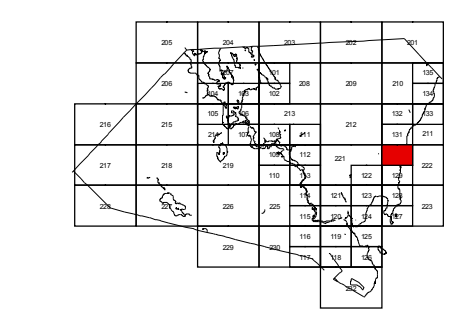
LEGEND

Area Surveyed.....	Ac	Exempt Property.....	(E)
Area Calculated.....	AcC	Subdivision Lot No.....	(11)
Record Dimension.....	100'	Building.....	(B)
Scaled Dimension.....	100'S	Right of Way.....	(R)
Match Line.....	-----	Deed Line.....	-----
Water.....	-----	Wetlands.....	-----





	132	133
212	131	211
	130	
221	122	129
	123	128
21		



TOWN OF
CAMDEN
 MAINE

MAP
130